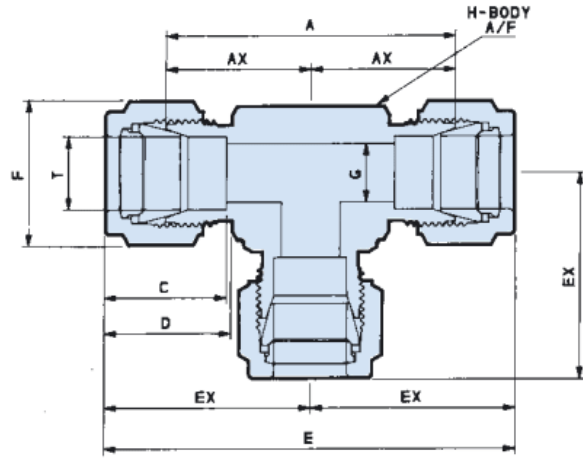


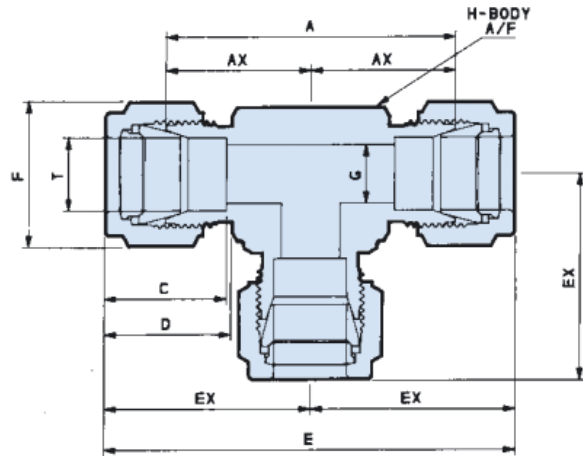
Equal tee



T tube OD part numberA

		Ax	C	D	E	Ex	F	H hex	G hex	min
1/16"	ET-01-SS	1.18"	0.59"	0.35"	0.47"	1.5"	0.75"	5/16"	3/8"	0.05"
1/8"	ET-1-SS	1.24"	0.62"	0.52"	0.62"	1.8"	0.9"	7/16"	3/8"	0.09"
3/16"	ET-03-SS	1.48"	0.74"	0.55"	0.65"	2.04"	1.02"	1/2"	1/2"	0.13"
1/4"	ET-2-SS	1.54"	0.77"	0.63"	0.72"	2.16"	1.08"	9/16"	1/2"	0.19"
3/8"	ET-3-SS	1.82"	0.91"	0.69"	0.78"	2.44"	1.22"	11/16"	5/8"	0.28"
1/2"	ET-4-SS	2.04"	1.02"	0.91"	0.88"	2.86"	1.43"	7/8"	13/16"	0.41"
5/8"	ET-5-SS	2.34"	1.17"	0.97"	0.88"	3.16"	1.58"	1"	1 1/16"	0.5"
3/4"	ET-6-SS	2.34"	1.17"	0.97"	0.88"	3.16"	1.58"	1 1/8"	1 1/16"	0.63"
1"	ET-8-SS	2.9"	1.45"	1.23"	1.05"	3.88"	1.94"	1 1/2"	1 3/8"	0.88"

Equal tee metric



T tube OD part numberA

		Ax	C	D	E	Ex	F	H hex	G hex	min
3mm	ET-M3-SS	31.4mm	15.7mm	13.4mm	15.7mm	45.4mm	22.7mm	7/16"	3/8"	2.3mm
4mm	ET-M4-SS	37.6mm	18.8mm	14.2mm	16.5mm	51.6mm	25.8mm	1/2"	1/2"	2.7mm
6mm	ET-M6-SS	39mm	19.5mm	16mm	18.2mm	54.8mm	27.4mm	9/16"	1/2"	4.8mm
8mm	ET-M8-SS	44.6mm	22.3mm	16.7mm	19mm	60.4mm	30.2mm	11/16"	5/8"	6.3mm
10mm	ET-M10-SS	51.8mm	25.9mm	17.5mm	19.8mm	67.6mm	33.8mm	3/4"	13/16"	7.8mm
12mm	ET-M12-SS	51.8mm	25.9mm	23.1mm	22.3mm	72.6mm	36.3mm	7/8"	13/16"	9.6mm
16mm	ET-M16-SS	59.4mm	29.7mm	24.6mm	22.3mm	80.2mm	40.1mm	1"	1 1/16"	12.7mm
20mm	ET-M20-SS	69mm	34.5mm	24.6mm	22.3mm	89.8mm	44.9mm	1 5/16"	1 3/8"	16.7mm
25mm	ET-M25-SS	73.6mm	36.8mm	31.2mm	26.6mm	98.4mm	49.2mm	1 1/2"	1 3/8"	22.3mm