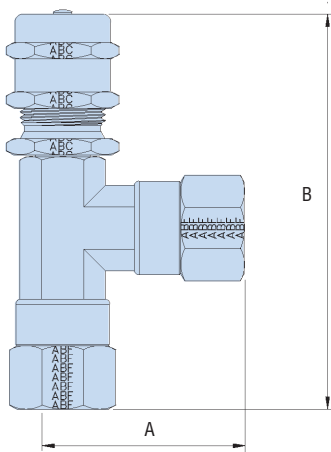
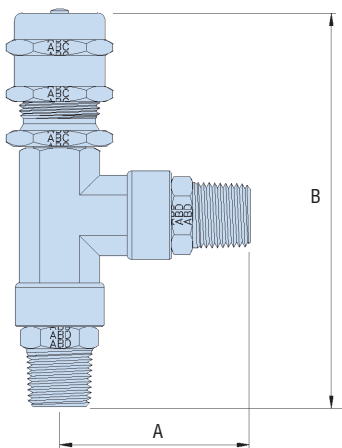


Female/female



thread size	part number	A	B
G 1/4" BSP	PRV/2P	2.236"	5.110"
G 3/8" BSP	PRV/3P	2.416"	5.290"
G 1/2" BSP	PRV/4P	2.553"	5.427"
Rc 1/4" BSPT	PRV/2T	2.306"	5.180"
Rc 3/8" BSPT	PRV/3T	2.416"	5.290"
Rc 1/2" BSPT	PRV/4T	2.551"	5.425"
1/4" NPTF	PRV/2N	2.306"	5.180"
3/8" NPTF	PRV/3N	2.416"	5.290"
1/2" NPTF	PRV/4N	2.551"	5.425"

Male/male



thread size	part number	A	B
G 1/4" BSP	PRV/2P/M	2.156"	5.030"
G 3/8" BSP	PRV/3P/M	2.236"	5.110"
G 1/2" BSP	PRV/4P/M	2.306"	5.180"
Rc 1/4" BSPT	PRV/2T/M	2.206"	5.080"
Rc 3/8" BSPT	PRV/3T/M	2.269"	5.143"
Rc 1/2" BSPT	PRV/4T/M	2.581"	5.455"
1/4" NPTF	PRV/2N/M	2.206"	5.080"
3/8" NPTF	PRV/3N/M	2.269"	5.143"
1/2" NPTF	PRV/4N/M	2.394"	5.268"

Please state opening pressure or spring requirement when ordering.