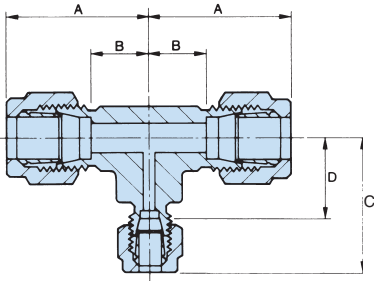
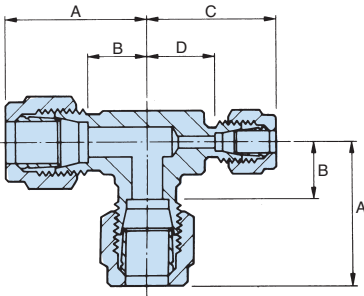


DUOLOC SINGLE FERRULE OD COMPRESSION FITTINGS

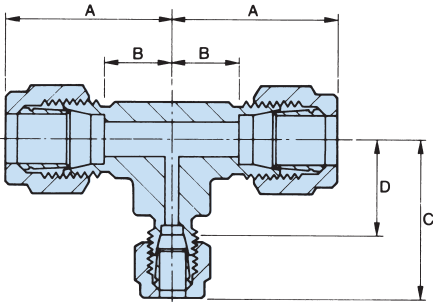
Tee – unequal branch



Tee – unequal run



Reducing branch tee



run OD	branch OD	run OD	part number	A	B	C	D
1/4"	1/8"	1/4"	2/1/2 TUB	1.220"	0.562"	1.284"	0.562"
1/4"	3/16"	1/4"	2/3/16/2 TUB	1.220"	0.562"	1.317"	0.562"
For 1/8" & 3/16" see Assembly Page 7							
3/8"	1/4"	3/8"	3/2/3 TUB	1.250"	0.593"	1.156"	0.562"
1/2"	1/4"	1/2"	4/2/4 TUB	1.437"	0.687"	1.156"	0.562"
1/2"	3/8"	1/2"	4/3/4 TUB	1.437"	0.687"	1.250"	0.593"
3/4"	3/8"	3/4"	6/3/6 TUB	1.843"	1.000"	1.250"	0.593"
3/4"	1/2"	3/4"	6/4/6 TUB	1.843"	1.000"	1.437"	0.687"
1"	1/2"	1"	8/4/8 TUB	2.032"	1.062"	1.437"	0.687"
1"	3/4"	1"	8/6/8 TUB	2.032"	1.062"	1.843"	1.000"

run OD	branch OD	run OD	part number	A	B	C	D
1/4"	1/4"	1/8"	2/2/1 TUR	1.220"	0.562"	1.284"	0.562"
1/4"	1/4"	3/16"	2/2/3/16 TUR	1.220"	0.562"	1.317"	0.562"
For 1/8" & 3/16" see Assembly Page 7							
3/8"	3/8"	1/4"	3/3/2 TUR	1.250"	0.593"	1.156"	0.562"
1/2"	1/2"	1/4"	4/4/2 TUR	1.437"	0.687"	1.156"	0.562"
1/2"	1/2"	3/8"	4/4/3 TUR	1.437"	0.687"	1.250"	0.593"
3/4"	3/4"	3/8"	6/6/3 TUR	1.843"	1.000"	1.250"	0.593"
3/4"	3/4"	1/2"	6/6/4 TUR	1.843"	1.000"	1.437"	0.687"
1"	1"	1/2"	8/8/4 TUR	2.032"	1.062"	1.437"	0.687"
1"	1"	3/4"	8/8/6 TUR	2.032"	1.062"	1.843"	1.000"

run OD	branch OD	run OD	part number	A	B	C	D
10mm	6mm	10mm	10m/6m RBT	30.0mm	15.0mm	30.0mm	15.0mm
12mm	6mm	12mm	12m/6m RBT	36.0mm	17.0mm	36.0mm	17.0mm
15mm	10mm	15mm	15m/10m RBT	46.0mm	26.0mm	46.0mm	26.5mm

Other reducing tees on request