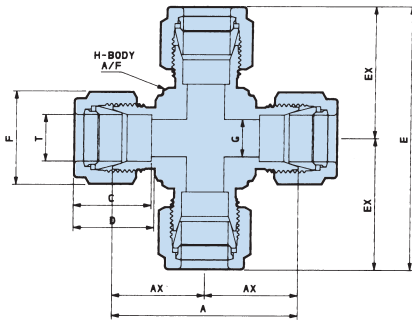
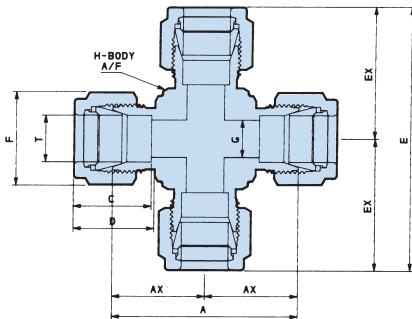


# RINGLOK TWIN FERRULE OD COMPRESSION FITTINGS

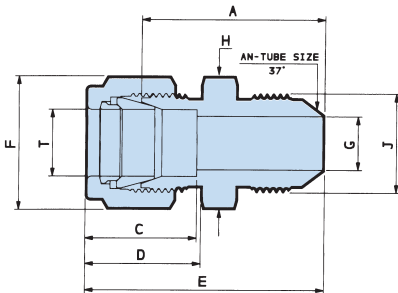
## Equal cross



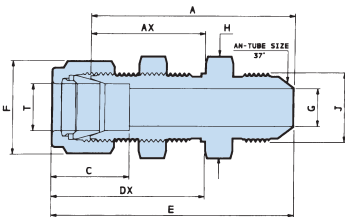
## Equal cross metric



## Ringlok to AN straight connector



## Ringlok bulkhead to AN connector



T tube OD	part numberA	Ax	C	D	E	Ex	F	H hex	G hex	min
1/8"	EC-1-SS	1.42"	0.71"	0.52"	0.62"	1.98"	0.99"	7/16"	1/2"	0.09"
3/16"	EC-03-SS	1.48"	0.74"	0.55"	0.65"	2.04"	1.02"	1/2"	1/2"	0.13"
1/4"	EC-2-SS	1.54"	0.77"	0.63"	0.72"	2.16"	1.08"	9/16"	1/2"	0.19"
3/8"	EC-3-SS	2.04"	1.02"	0.69"	0.78"	2.66"	1.33"	11/16"	13/16"	0.28"
1/2"	EC-4-SS	2.04"	1.02"	0.91"	0.88"	2.86"	1.43"	7/8"	13/16"	0.41"
5/8"	EC-5-SS	2.34"	1.17"	0.97"	0.88"	3.16"	1.58"	1"	1 1/16"	0.5"
3/4"	EC-6-SS	2.34"	1.17"	0.97"	0.88"	3.16"	1.58"	1 1/8"	1 1/16"	0.63"
1"	EC-8-SS	2.9"	1.45"	1.23"	1.05"	3.88"	1.94"	1 1/2"	1 3/8"	0.88"

T tube OD	part numberA	Ax	C	D	E	Ex	F	H hex	G hex	min
3mm	EC-M3-SS	36mm	18mm	13.4mm	15.7mm	50mm	25mm	7/16"	1/2"	2.3"
4mm	EC-M4-SS	37.6mm	18.8mm	14.2mm	16.5mm	51.6mm	25.8mm	1/2"	1/2"	2.7"
6mm	EC-M6-SS	39mm	19.5mm	16mm	18.2mm	54.8mm	27.4mm	9/16"	1/2"	4.8"
8mm	EC-M8-SS	50.2mm	25.1mm	16.7mm	19mm	66mm	33mm	11/16"	13/16"	6.3"
10mm	EC-M10-SS	51.8mm	25.9mm	17.5mm	19.8mm	67.6mm	33.8mm	3/4"	13/16"	7.8"
12mm	EC-M12-SS	51.8mm	25.9mm	23.1mm	22.3mm	72.6mm	36.3mm	7/8"	13/16"	9.6"
16mm	EC-M16-SS	59.4mm	29.7mm	24.6mm	22.3mm	80.2mm	40.1mm	1"	11/16"	12.7"
20mm	EC-M20-SS	69mm	34.5mm	24.6mm	22.3mm	89.8mm	44.9mm	1 5/16"	1 3/8"	16.7"
25mm	EC-M25-SS	73.6mm	36.8mm	31.2mm	26.6mm	98.4mm	49.2mm	1 1/2"	1 3/8"	22.3"

T tube OD	AN tube flare size	Part Number	A	C	D	E	F hex	H hex	G min	J
1/16"	1/8"	SAN-011-SS	0.95"	0.35"	0.47"	1.11"	5/16"	7/16"	0.05"	5/16-24-UNJF
1/8"	1/8"	SAN-11-SS	0.98"	0.52"	0.62"	1.26"	7/16"	7/16"	0.06"	5/16-24-UNJF
1/8"	1/4"	SAN-12-SS	1.11"	0.52"	0.62"	1.39"	7/16"	9/16"	0.09"	7/16-20 UNJF
1/4"	1/4"	SAN-22-SS	1.19"	0.63"	0.72"	1.50"	9/16"	9/16"	0.09"	7/16-20 UNJF
3/8"	1/4"	SAN-32-SS	1.27"	0.69"	0.78"	1.58"	11/16"	11/16"	0.17"	7/16-20 UNJF
3/8"	3/8"	SAN-33-SS	1.27"	0.69"	0.78"	1.58"	11/16"	11/16"	0.28"	9/16-18 UNJF
1/2"	1/2"	SAN-44-SS	1.41"	0.91"	0.88"	1.82"	7/8"	7/8"	0.39"	3/4-16-UNJF
3/4"	3/4"	SAN-66-SS	1.71"	0.97"	0.88"	2.12"	1 1/8"	1 1/8"	0.61"	1 1/16-12 UNJ
1"	1"	SAN-88-SS	1.94"	1.23"	1.05"	2.43"	1 1/2"	1 1/2"	0.84"	1 5/16-12 UNJ

T tube OD	AN tube flare size	part number	A	Ax	C	Dx	E	F hex	H hex	G min	J	panel hole size	panel thickness max
1/4"	1/4"	BAN-22-SS	1.83"	1.03"	0.63"	1.34"	2.14"	9/16"	11/16"	0.17"	7/16-20 UNJF	29/64"	0.5"
3/8"	3/8"	BAN-33-SS	1.97"	1.16"	0.69"	1.47"	2.28"	1 1/16"	3/4"	0.28"	9/16-18 UNJF	37/64"	0.5"
1/2"	1/2"	BAN-44-SS	2.22"	1.25"	0.91"	1.66"	2.63"	7/8"	15/16"	0.39"	3/4-16 UNJF	49/64"	0.56"
3/4"	3/4"	BAN-66-SS	2.71"	1.47"	0.97"	1.88"	3.12"	1 1/8"	1 5/16"	0.61"	1 1/16-12 UNJ	1 1/64"	0.69"
1"	1"	BAN-88-SS	3.16"	1.78"	1.23"	2.27"	3.65"	1 1/2"	1 1/2"	0.84"	1 5/16-12 UNJ	1 21/64"	0.88"