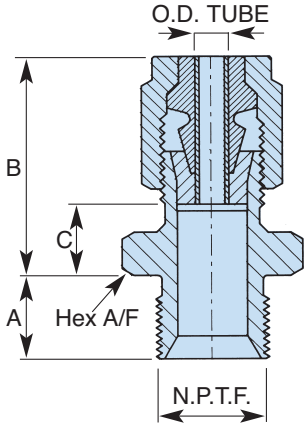


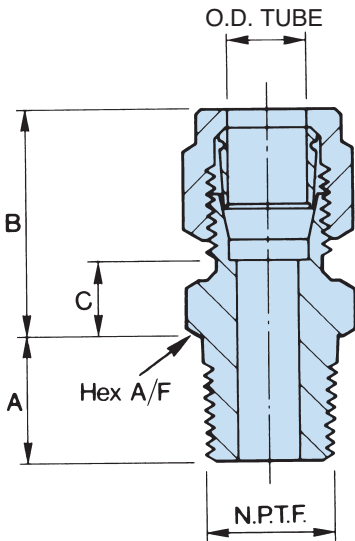
## DUOLOC SINGLE FERRULE OD COMPRESSION FITTINGS

### NPTF male stud coupling



OD tube	thread size NPTF	part number	A	B	C	hex A/F
1/8"	1/8" NPTF	1/1N MSC	0.375"	0.970"	0.370"	0.562"
1/8"	1/4" NPTF	1/2N MSC	0.500"	1.033"	0.370"	0.562"
1/8"	3/8" NPTF	1/3N MSC	0.562"	1.064"	0.370"	0.750"
1/8"	1/2" NPTF	1/4N MSC	0.687"	1.095"	0.432"	0.875"
3/16"	1/8" NPTF	3/16/1N MSC	0.375"	1.003"	0.370"	0.562"
3/16"	1/4" NPTF	3/16/2N MSC	0.500"	1.066"	0.370"	0.562"
3/16"	3/8" NPTF	3/16/3N MSC	0.562"	1.097"	0.370"	0.750"
3/16"	1/2" NPTF	3/16/4N MSC	0.687"	1.128"	0.432"	0.875"

### NPTF male stud coupling



OD tube	thread size NPTF	part number	A	B	C	hex A/F
1/4"	1/8" NPTF	2/1N MSC	0.375"	0.906"	0.370"	0.562"
1/4"	1/4" NPTF	2/2N MSC	0.500"	0.969"	0.370"	0.562"
1/4"	3/8" NPTF	2/3N MSC	0.562"	1.000"	0.370"	0.750"
1/4"	1/2" NPTF	2/4N MSC	0.687"	1.031"	0.432"	0.875"
3/8"	1/8" NPTF	3/1N MSC	0.375"	1.062"	0.402"	0.750"
3/8"	1/4" NPTF	3/2N MSC	0.500"	1.062"	0.402"	0.750"
3/8"	3/8" NPTF	3/3N MSC	0.562"	1.094"	0.402"	0.750"
3/8"	1/2" NPTF	3/4N MSC	0.687"	1.125"	0.464"	0.875"
1/2"	1/8" NPTF	4/1N MSC	0.375"	1.188"	0.402"	0.875"
1/2"	1/4" NPTF	4/2N MSC	0.500"	1.188"	0.402"	0.875"
1/2"	3/8" NPTF	4/3N MSC	0.562"	1.188"	0.402"	0.875"
1/2"	1/2" NPTF	4/4N MSC	0.687"	1.218"	0.464"	0.875"
1/2"	3/4" NPTF	4/6N MSC	0.750"	1.218"	0.527"	1.125"
1/2"	1" NPTF	4/8N MSC	0.875"	1.218"	0.526"	1.375"
3/4"	3/8" NPTF	6/3N MSC	0.562"	1.406"	0.535"	1.125"
3/4"	1/2" NPTF	6/4N MSC	0.687"	1.406"	0.535"	1.125"
3/4"	3/4" NPTF	6/6N MSC	0.750"	1.406"	0.588"	1.125"
3/4"	1" NPTF	6/8N MSC	0.875"	1.406"	0.588"	1.375"
1"	1/2" NPTF	8/4N MSC	0.687"	1.625"	0.588"	1.500"
1"	3/4" NPTF	8/6N MSC	0.750"	1.625"	0.588"	1.500"
1"	1" NPTF	8/8N MSC	0.875"	1.625"	0.585"	1.500"