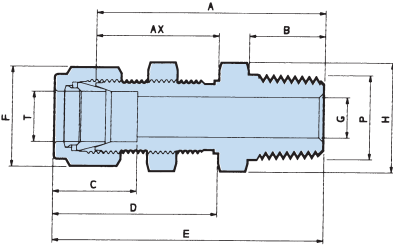


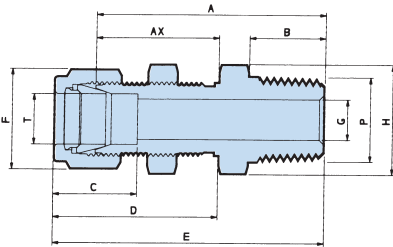
RINGLOK TWIN FERRULE OD COMPRESSION FITTINGS

Male bulkhead coupling NPT



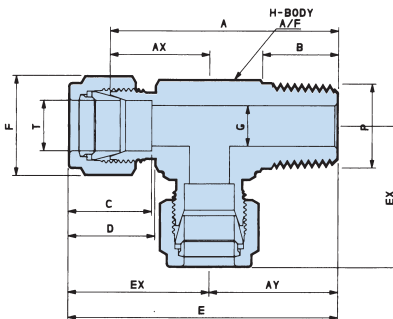
T tube OD	P NPT pipe	part number	A	Ax	B	C	D	E	F hex	H hex	G min	panel hole drill size	panel thick- ness max
1/8"	1/8"	MBC-11-SS	1.53"	0.97"	0.38"	0.52"	1.24"	1.81"	7/16"	1/2"	0.09"	21/64"	0.44"
1/4"	1/8"	MBC-21-SS	1.66"	1.03"	0.38"	0.52"	1.24"	1.81"	7/16"	1/2"	0.09"	29/64"	0.50"
1/4"	1/4"	MBC-22-SS	1.84"	1.03"	0.56"	0.63"	1.34"	2.15"	9/16"	11/16"	0.19"	29/64"	0.50"
3/8"	1/4"	MBC-32-SS	1.97"	1.16"	0.56"	0.69"	1.47"	2.28"	11/16"	3/4"	0.28"	37/64"	0.50"
1/2"	3/8"	MBC-43-SS	2.09"	1.25"	0.56"	0.91"	1.66"	2.50"	7/8"	15/16"	0.41"	49/64"	0.56"
1/2"	1/2"	MBC-44-SS	2.28"	1.25"	0.75"	0.91"	1.66"	2.69"	7/8"	15/64"	0.41"	49/64"	0.56"

Male bulkhead coupling NPT metric



T tube OD	P NPT pipe	part number	A	Ax	B	C	D	E	F hex	H hex	G min	panel hole drill size	panel thick- ness max
3mm	1/8"	MBC-M3-1-SS	39.7mm	24.6mm	9.6mm	13.4mm	31.6mm	46.7mm	7/16"	9/16"	2.3mm	8.3mm	11.1mm
6mm	1/8"	MBC-M6-1-SS	42.0mm	26.1mm	9.6mm	16.0mm	34.0mm	49.9mm	9/16"	11/16"	4.8mm	11.5mm	12.7mm
6mm	1/4"	MBC-M6-2-SS	46.7mm	26.1mm	14.2mm	16.0mm	34.0mm	54.9mm	9/16"	11/16"	4.8mm	11.5mm	12.7mm
10mm	1/4"	MBC-M10-2-SS	50.8mm	29.4mm	14.2mm	17.5mm	37.3mm	58.7mm	3/4"	7/8"	7.1mm	16.3mm	12.7mm
12mm	3/8"	MBC-M12-3-SS	53.9mm	31.7mm	14.2mm	23.1mm	42.1mm	64.3mm	7/8"	15/16"	9.6mm	19.4mm	14.2mm
12mm	1/2"	MBC-M12-4-SS	58.7mm	31.7mm	19.0mm	23.1mm	42.1mm	69.1mm	7/8"	15/16"	9.6mm	19.4mm	14.2mm

Male run tee NPT



T tube OD	P NPT pipe	part number	A	Ax	Ay	B	C	D	E	Ex	F hex	H hex	G min
1/16"	1/16"	MRT-0101-SS	1.24"	0.59"	0.65"	0.38"	0.35"	0.47"	1.40"	0.75"	5/16"	3/8"	0.05"
1/16"	1/8"	MRT-011-SS	1.27"	0.59"	0.68"	0.38"	0.35"	0.47"	1.43"	0.75"	5/16"	3/8"	0.05"
1/8"	1/8"	MRT-11-SS	1.30"	0.62"	0.68"	0.38"	0.52"	0.62"	1.58"	0.90"	7/16"	3/8"	0.09"
1/8"	1/4"	MRT-12-SS	1.63"	0.71"	0.92"	0.56"	0.52"	0.62"	1.91"	0.99"	7/16"	1/2"	0.09"
3/16"	1/8"	MRT-031-SS	1.48"	0.74"	0.74"	0.38"	0.55"	0.65"	1.76"	1.02"	1/2"	1/2"	0.13"
1/4"	1/8"	MRT-21-SS	1.51"	0.77"	0.74"	0.38"	0.63"	0.72"	1.82"	1.08"	9/16"	1/2"	0.19"
1/4"	1/4"	MRT-22-SS	1.69"	0.77"	0.92"	0.56"	0.63"	0.72"	2.08"	1.08"	9/16"	1/2"	0.19"
3/8"	1/4"	MRT-32-SS	1.94"	0.91"	1.03"	0.56"	0.69"	0.78"	2.25"	1.22"	11/16"	5/8"	0.28"
3/8"	3/8"	MRT-33-SS	1.94"	0.91"	1.03"	0.56"	0.69"	0.78"	2.25"	1.22"	11/16"	5/8"	0.28"
1/2"	3/8"	MRT-43-SS	2.13"	1.02"	1.11"	0.56"	0.91"	0.88"	2.54"	1.43"	7/8"	13/16"	0.41"
1/2"	1/2"	MRT-44-SS	2.32"	1.02"	1.30"	0.75"	0.91"	0.88"	2.73"	1.43"	7/8"	13/16"	0.41"
5/8"	1/2"	MRT-54-SS	2.61"	1.17"	1.44"	0.75"	0.97"	0.88"	3.02"	1.58"	1"	1 1/16"	0.50"
3/4"	3/4"	MRT-66-SS	2.61"	1.17"	1.44"	0.75"	0.97"	0.88"	3.02"	1.58"	1 1/8"	1 1/16"	0.63"
1"	1"	MRT-88-SS	3.28"	1.45"	1.83"	0.94"	1.23"	1.05"	3.77"	1.94"	1 1/2"	1 3/8"	0.88"