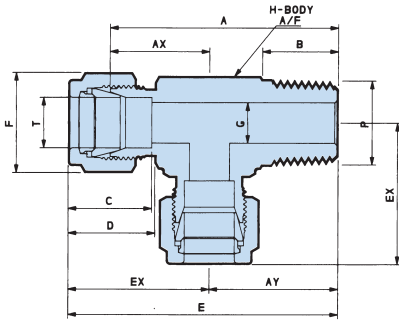


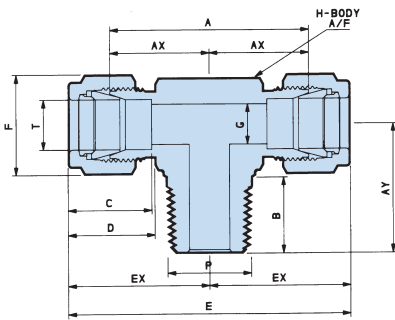
# RINGLOK TWIN FERRULE OD COMPRESSION FITTINGS

## Male run tee NPT metric



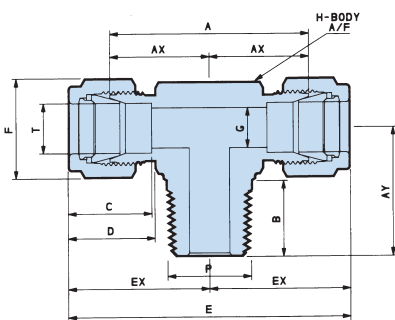
T tube OD	P NPT pipe	part number	A	Ax	Ay	B	C	D	E	Ex	F hex	H hex	G min
3mm	1/8"	MRT-M3-1-SS	33.8mm	15.7mm	17.3mm	9.6mm	13.4mm	15.7mm	40.4mm	22.7mm	7/16"	3/8"	2.3mm
3mm	1/4"	MRT-M3-2-SS	41.4mm	18.0mm	23.4mm	14.2mm	13.4mm	15.7mm	48.4mm	25.0mm	7/16"	1/2"	2.3mm
4mm	1/8"	MRT-M4-1-SS	37.6mm	18.8mm	18.8mm	9.6mm	14.2mm	16.5mm	44.6mm	25.8mm	1/2"	1/2"	2.7mm
6mm	1/8"	MRT-M6-1-SS	38.3mm	19.5mm	18.8mm	9.6mm	16.0mm	18.2mm	46.2mm	27.4mm	9/16"	1/2"	4.8mm
6mm	1/4"	MRT-M6-2-SS	42.9mm	19.5mm	23.4mm	14.2mm	16.0mm	18.2mm	50.8mm	27.4mm	9/16"	1/2"	4.8mm
8mm	1/8"	MRT-M8-1-SS	43.9mm	22.3mm	21.6mm	9.6mm	16.7mm	19.0mm	51.8mm	30.2mm	11/16"	5/8"	4.8mm
10mm	1/4"	MRT-M10-2-SS	54.1mm	25.9mm	28.2mm	14.2mm	17.5mm	19.8mm	62.0mm	33.8mm	3/4"	13/16"	7.1mm
10mm	3/8"	MRT-M10-3-SS	54.1mm	25.9mm	28.2mm	14.2mm	18.5mm	19.8mm	62.0mm	33.8mm	3/4"	13/16"	7.8mm
12mm	3/8"	MRT-M12-3-SS	54.1mm	25.9mm	28.2mm	14.2mm	23.1mm	22.3mm	64.5mm	36.3mm	7/8"	13/16"	9.6mm
12mm	1/2"	MRT-M12-4-SS	59.0mm	25.9mm	33.0mm	19.0mm	23.1mm	22.3mm	69.3mm	36.3mm	7/8"	13/16"	9.6mm
16mm	1/2"	MRT-M16-4-SS	66.2mm	29.7mm	36.5mm	19.0mm	24.6mm	22.3mm	76.7mm	40.1mm	1"	1 1/16"	12.7mm
20mm	3/4"	MRT-M20-6-SS	76.1mm	34.5mm	41.7mm	19.0mm	24.6mm	22.3mm	86.6mm	44.9mm	1 5/16"	1 3/8"	16.7mm
25mm	1"	MRT-M25-8-SS	83.2mm	36.8mm	46.5mm	23.8mm	31.2mm	26.6mm	95.7mm	49.2mm	1 1/2"	1 3/8"	22.3mm

## Male branch tee NPT



T tube OD	P NPT pipe	part number	A	Ax	Ay	B	C	D	E	Ex	F hex	H hex	G min
1/6"	1/6"	MBT-0101-SS	1.18"	0.59"	0.65"	0.38"	0.35"	0.47"	1.50"	0.75"	5/16"	3.8"	0.05"
1/6"	1/8"	MBT-011-SS	1.18"	0.59"	0.68"	0.38"	0.35"	0.47"	1.50"	0.75"	5/16"	3.8"	0.05"
1/8"	1/8"	MBT-11-SS	1.24"	0.62"	0.68"	0.38"	0.52"	0.62"	1.80"	0.90"	7/16"	3.8"	0.09"
1/8"	1/4"	MBT-12-SS	1.42"	0.71"	0.92"	0.56"	0.52"	0.62"	1.98"	0.99"	7/16"	1/2"	0.09"
3/16"	1/8"	MBT-031-SS	1.48"	0.74"	0.74"	0.38"	0.55"	0.65"	2.04"	1.02"	1/2"	1/2"	0.13"
1/4"	1/8"	MBT-21-SS	1.54"	0.77"	0.74"	0.38"	0.63"	0.72"	2.16"	1.08"	9/16"	1/2"	0.19"
1/4"	1/4"	MBT-22-SS	1.54"	0.77"	0.92"	0.56"	0.63"	0.72"	2.16"	1.08"	9/16"	1/2"	0.19"
3/8"	1/4"	MBT-32-SS	1.82"	0.91"	1.03"	0.56"	0.69"	0.78"	2.44"	1.22"	11/16"	5/8"	0.28"
3/8"	3/8"	MBT-33-SS	1.82"	0.91"	1.03"	0.56"	0.69"	0.78"	2.44"	1.22"	11/16"	5/8"	0.28"
1/2"	3/8"	MBT-43-SS	2.04"	1.02"	1.11"	0.56"	0.91"	0.88"	2.86"	1.43"	7/8"	13/16"	0.41"
1/2"	1/2"	MBT-44-SS	2.04"	1.02"	1.30"	0.75"	0.91"	0.88"	2.86"	1.43"	7/8"	1 3/8"	0.41"
5/8"	1/2"	MBT-54-SS	2.34"	1.17"	1.44"	0.75"	0.97"	0.88"	3.16"	1.58"	1"	1 1/16"	0.50"
3/4"	1/2"	MBT-64-SS	2.34"	1.17"	1.44"	0.75"	0.97"	0.88"	3.16"	1.58"	1 1/8"	1 1/16"	0.63"
1"	1"	MBT-88-SS	2.90"	1.45"	1.83"	0.94"	1.23"	1.05"	3.88"	1.94"	1 1/2"	1 3/8"	0.88"

## Male branch tee NPT metric



T tube OD	P NPT pipe	part number	A	Ax	Ay	B	C	D	E	Ex	F hex	H hex	G min
3mm	1/8"	MBT-M3-1-SS	31.4mm	15.7mm	17.3mm	9.6mm	13.4mm	15.7mm	45.4mm	22.7mm	7/16"	3/8"	2.3mm
3mm	1/4"	MBT-M3-2-SS	36.0mm	18.0mm	23.4mm	14.2mm	13.4mm	15.7mm	50.0mm	25.0mm	7/16"	1.2"	2.3mm
4mm	1/8"	MBT-M4-1-SS	37.6mm	18.8mm	18.8mm	9.6mm	14.2mm	16.5mm	51.6mm	25.8mm	1/2"	1/2"	2.7mm
6mm	1/8"	MBTM6-1-SS	39.0mm	19.5mm	18.8mm	9.6mm	16.0mm	18.2mm	54.8mm	27.4mm	9/16"	1/2"	4.8mm
6mm	1/4"	MBT-M6-2-SS	39.0mm	19.5mm	23.4mm	14.2mm	16.0mm	18.2mm	54.8mm	27.4mm	9/16"	1/2"	4.8mm
8mm	1/8"	MBT-M8-1-SS	44.6mm	22.3mm	21.6mm	9.6mm	16.7mm	19.0mm	60.4mm	30.2mm	11/16"	5/8"	4.8mm
10mm	3/8"	MBT-M10-3-SS	51.8mm	25.9mm	28.2mm	14.2mm	17.5mm	19.8mm	67.6mm	33.8mm	3/4"	13/16"	7.1mm
10mm	3/8"	MBT-M10-3-SS	51.8mm	25.9mm	28.2mm	14.2mm	17.5mm	19.8mm	67.6mm	33.8mm	3/4"	13/16"	7.8mm
12mm	3/8"	MBT-M12-3-SS	51.8mm	25.9mm	28.2mm	14.2mm	23.1mm	22.3mm	72.6mm	36.3mm	7.8"	13/16"	9.6mm
12mm	1/2"	MBT-M12-4-SS	51.8mm	25.9mm	33.0mm	19.0mm	23.1mm	22.3mm	72.6mm	36.3mm	7/8"	13/16"	9.6mm
16mm	1/2"	MBT-M16-4-SS	59.4mm	29.7mm	36.6mm	19.0mm	24.6mm	22.3mm	80.2mm	40.1mm	1"	1 1/16"	12.7mm
20mm	3/4"	MBT-M20-6-SS	69.0mm	34.5mm	41.7mm	19.0mm	24.6mm	22.3mm	89.8mm	44.9mm	1 5/16"	1 3/8"	16.7mm
25mm	1"	MBT-M25-8-SS	73.6mm	36.8mm	46.5mm	23.8mm	31.2mm	26.6mm	98.4mm	49.2mm	1 1/2"	1 3/8"	22.3mm