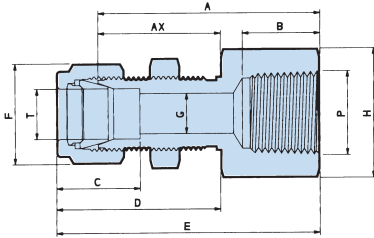


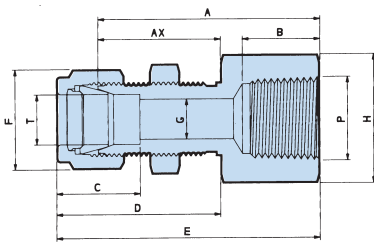
# RINGLOK TWIN FERRULE OD COMPRESSION FITTINGS

## Female bulkhead coupling NPT



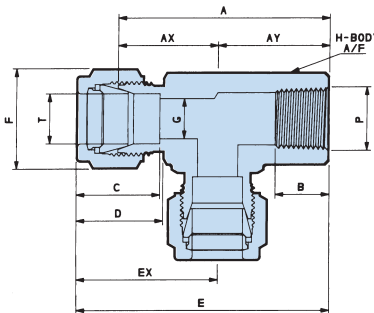
T tube OD	P NPT pipe	part number	A	Ax	B	C	D	E	F hex	H hex	G min	panel hole size	panel thickness max
1/8"	1/8"	FBC-11-SS	1.49"	0.97"	0.39"	0.52"	1.24"	1.77"	7/16"	9/16"	0.09"	21/64"	0.44"
1/4"	1/8"	FBC-21-SS	1.55"	1.03"	0.39"	0.63"	1.34"	1.86"	9/16"	11/16"	0.19"	29/64"	0.50"
1/4"	1/4"	FBC-22-SS	1.75"	1.03"	0.59"	0.63"	1.34"	2.06"	9/16"	3/4"	0.19"	29/64"	0.50"
3/8"	1/4"	FBC-32-SS	1.88"	1.16"	0.59"	0.69"	1.47"	2.19"	11/16"	3/4"	0.28"	37/64"	0.50"
1/2"	3/8"	FBC-43-SS	2.03"	1.25"	0.59"	0.91"	1.66"	2.44"	7/8"	15/16"	0.41"	49/64"	0.56"
1/2"	1/2"	FBC-44-SS	2.22"	1.25"	0.78"	0.91"	1.66"	2.63"	7/8"	1 1/8"	0.41"	49/64"	0.56"

## Female bulkhead coupling NPT metric



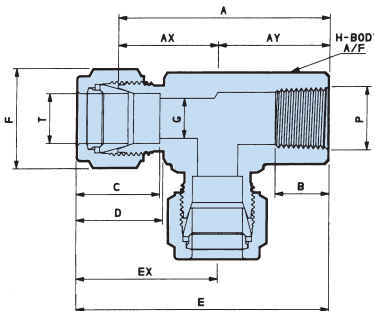
T tube OD	P NPT pipe	part number	A	Ax	B	C	D	E	F hex	H hex	G min	panel hole size	panel thickness max
3mm	1/8"	FBC-M3-1-SS	37.7mm	24.6mm	9.9mm	13.4mm	31.6mm	44.7mm	7/16mm	9/16mm	2.3mm	8.3mm	11.1mm
6mm	1/8"	FBC-M6-1-SS	44.3mm	26.1mm	15.0mm	16.0mm	34.0mm	52.2mm	9/16mm	3/4mm	4.8mm	11.5mm	12.7mm
10mm	1/4"	FBC-M10-2-SS	47.6mm	29.4mm	15.0mm	17.5mm	37.3mm	55.5mm	3/4mm	7/8mm	7.8mm	16.3mm	12.7mm
12mm	3/8"	FBC-M12-3-SS	51.4mm	31.7mm	15.0mm	22.3mm	42.1mm	61.8mm	7/8mm	15/16mm	9.6mm	19.4mm	14.2mm
12mm	1/2"	FBC-M12-4-SS	56.3mm	31.7mm	19.8mm	22.3mm	42.1mm	66.7mm	7/8mm	1 1/8mm	9.6mm	19.4mm	14.2mm

## Female run tee NPT



T tube OD	P NPT pipe	part number	A	Ax	Ay	B	C	D	E	Ex	F hex	H hex	G min
1/16"	1/16"	FRT-0101-SS	1.25"	0.59"	0.66"	0.39"	0.35"	0.47"	1.41"	0.75"	5/16"	3/8"	0.05"
1/16"	1/8"	FRT-011-SS	1.43"	0.68"	0.75"	0.39"	0.35"	0.47"	1.59"	0.84"	5/16"	1/2"	0.05"
1/8"	1/8"	FRT-11-SS	1.46"	0.71"	0.75"	0.39"	0.52"	0.62"	1.74"	0.99"	7/16"	1/2"	0.09"
1/8"	1/4"	FRT-12-SS	1.67"	0.79"	0.88"	0.59"	0.52"	0.62"	1.95"	1.07"	7/16"	5/8"	0.09"
3/16"	1/8"	FRT-031-SS	1.49"	0.74"	0.75"	0.39"	0.55"	0.65"	1.77"	1.02"	1/2"	1/2"	0.13"
1/4"	1/8"	FRT-21-SS	1.52"	0.77"	0.75"	0.39"	0.63"	0.72"	1.83"	1.08"	9/16"	1/2"	0.19"
1/4"	1/4"	FRT-22-SS	1.73"	0.85"	0.88"	0.59"	0.63"	0.72"	2.04"	1.16"	9/16"	5/8"	0.19"
3/8"	1/4"	FRT-32-SS	1.79"	0.91"	0.88"	0.59"	0.69"	0.78"	2.10"	1.22"	11/16"	5/8"	0.28"
3/8"	3/8"	FRT-33-SS	1.90"	1.02"	0.88"	0.59"	0.69"	0.78"	2.21"	1.33"	11/16"	13/16"	0.28"
1/2"	3/8"	FRT-43-SS	1.90"	1.02"	0.88"	0.59"	0.91"	0.88"	2.31"	1.43"	7/8"	13/16"	0.41"
1/2"	1/2"	FRT-44-SS	2.29"	1.17"	1.12"	0.78"	0.91"	0.88"	2.70"	1.58"	7/8"	1 1/16"	0.41"
5/8"	1/2"	FRT-54-SS	2.29"	1.17"	1.12"	0.78"	0.97"	0.88"	2.70"	1.58"	1"	1 1/16"	0.50"
3/4"	3/4"	FRT-66-SS	2.61"	1.36"	1.25"	0.81"	0.97"	0.88"	3.02"	1.77"	1 1/8"	1 3/8"	0.63"
1"	3/4"	FRT-86-SS	2.70"	1.45"	1.25"	0.81"	1.23"	1.05"	3.19"	1.94"	1 1/2"	1 3/8"	0.88"

## Female run tee NPT metric



T tube OD	P NPT pipe	part number	A	Ax	Ay	B	C	D	E	Ex	F hex	H hex	G min
3mm	1/8"	FRT-M3-1-SS	37.0mm	18.0mm	19.0mm	9.9mm	13.4mm	15.7mm	44.0mm	25.0mm	7/16"	1/2"	2.3mm
3mm	1/4"	FRT-M3-2-SS	42.3mm	20.0mm	22.3mm	15.0mm	13.4mm	15.7mm	49.3mm	27.0mm	7/16"	5/8"	2.3mm
4mm	1/8"	FRT-M4-1-SS	37.8mm	18.8mm	19.0mm	9.9mm	14.2mm	16.5mm	44.8mm	25.8mm	1/2"	1/2"	2.7mm
6mm	1/8"	FRT-M6-1-SS	38.5mm	19.5mm	19.0mm	9.9mm	16.0mm	18.2mm	46.4mm	27.4mm	9/16"	1/2"	4.8mm
6mm	1/4"	FRT-M6-2-SS	44.6mm	21.6mm	22.3mm	15.0mm	16.0mm	18.2mm	51.8mm	29.5mm	9/16"	5/8"	4.8mm
8mm	1/8"	FRT-M8-1-SS	41.3mm	22.3mm	19.0mm	9.9mm	16.7mm	19.0mm	49.2mm	30.2mm	11/16"	5/8"	6.4mm
10mm	1/4"	FRT-M10-2-SS	48.2mm	25.9mm	22.3mm	15.0mm	17.5mm	19.8mm	56.1mm	33.8mm	3/4"	13/16"	7.8mm
10mm	3/8"	FRT-M10-3-SS	48.2mm	25.9mm	22.3mm	15.0mm	17.5mm	19.8mm	56.1mm	33.8mm	3/4"	13/16"	7.8mm
12mm	3/8"	FRT-M12-3-SS	48.2mm	25.9mm	22.3mm	15.0mm	23.1mm	22.3mm	58.6mm	36.3mm	7/8"	13/16"	9.6mm
12mm	1/2"	FRT-M12-4-SS	58.1mm	29.7mm	28.4mm	19.8mm	23.1mm	22.3mm	68.5mm	40.1mm	7/8"	1 1/16"	9.6mm
16mm	1/2"	FRT-M16-4-SS	58.1mm	29.7mm	28.4mm	19.8mm	24.6mm	22.3mm	68.5mm	40.1mm	1"	1 1/16"	12.7mm
20mm	3/4"	FRT-M20-6-SS	66.2mm	34.5mm	31.7mm	20.5mm	24.6mm	22.3mm	76.6mm	44.9mm	1 5/16"	1 3/8"	16.7mm
25mm	3/4"	FRT-M25-6-SS	68.5mm	36.8mm	31.7mm	20.5mm	31.2mm	26.6mm	80.9mm	49.2mm	1 1/2"	1 3/8"	22.3mm