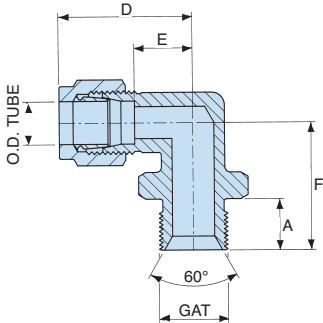


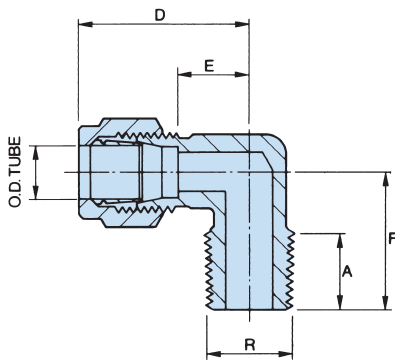
DUOLOC SINGLE FERRULE OD COMPRESSION FITTINGS

BSPP male stud elbow



OD tube	thread size GAT	part number	A	D	E	F
1/8"	1/8" BSP	1/1P MSE	0.450"	1.220"	0.562"	1.063"
1/8"	1/4" BSP	1/2P MSE	0.450"	1.220"	0.562"	1.063"
3/16"	1/8" BSP	3/16/1P MSE	0.450"	1.253"	0.562"	1.063"
3/16"	1/4" BSP	3/16/2P MSE	0.450"	1.253"	0.562"	1.063"
For 1/8" & 3/16" see Assembly Page 7						
1/4"	1/8" BSP	2/1P MSE	0.450"	1.156"	0.562"	1.063"
1/4"	1/4" BSP	2/2P MSE	0.450"	1.156"	0.562"	1.063"
3/8"	1/4" BSP	3/2P MSE	0.450"	1.250"	0.593"	1.063"
3/8"	3/8" BSP	3/3P MSE	0.530"	1.250"	0.593"	1.500"
1/2"	1/4" BSP	4/2P MSE	0.450"	1.437"	0.687"	1.500"
1/2"	3/8" BSP	4/3P MSE	0.530"	1.437"	0.687"	1.500"
1/2"	1/2" BSP	4/4P MSE	0.600"	1.437"	0.687"	1.500"

BSPT male stud elbow



OD tube	thread size R	part number	A	D	E	F
1/8"	1/8" BSPT	1/1T MSE	0.375"	1.220"	0.562"	0.868"
1/8"	1/4" BSPT	1/2T MSE	0.500"	1.220"	0.562"	0.958"
1/8"	3/8" BSPT	1/3T MSE	0.562"	1.220"	0.562"	1.187"
1/8"	1/2" BSPT	1/4T MSE	0.687"	1.220"	0.707"	1.311"
3/16"	1/8" BSPT	3/16/1T MSE	0.375"	1.253"	0.562"	0.868"
3/16"	1/4" BSPT	3/16/2T MSE	0.500"	1.253"	0.562"	0.958"
3/16"	3/8" BSPT	3/16/3T MSE	0.562"	1.253"	0.562"	1.187"
3/16"	1/2" BSPT	3/16/4T MSE	0.687"	1.253"	0.707"	1.311"
For 1/8" & 3/16" see Assembly Page 7						
1/4"	1/8" BSPT	2/1T MSE	0.375"	1.156"	0.562"	0.868"
1/4"	1/4" BSPT	2/2T MSE	0.500"	1.156"	0.562"	0.958"
1/4"	3/8" BSPT	2/3T MSE	0.562"	1.156"	0.562"	1.187"
1/4"	1/2" BSPT	2/4T MSE	0.687"	1.274"	0.707"	1.311"
3/8"	1/4" BSPT	3/2T MSE	0.500"	1.250"	0.593"	1.125"
3/8"	3/8" BSPT	3/3T MSE	0.562"	1.250"	0.593"	1.187"
3/8"	1/2" BSPT	3/4T MSE	0.687"	1.437"	0.777"	1.311"
1/2"	1/4" BSPT	4/2T MSE	0.500"	1.437"	0.687"	1.125"
1/2"	3/8" BSPT	4/3T MSE	0.562"	1.437"	0.687"	1.375"
1/2"	1/2" BSPT	4/4T MSE	0.687"	1.437"	0.687"	1.375"
3/4"	1/2" BSPT	6/4T MSE	0.687"	1.843"	1.000"	1.625"
3/4"	3/4" BSPT	6/6T MSE	0.750"	1.843"	1.000"	1.688"
1"	3/4" BSPT	8/6T MSE	0.750"	2.501"	1.085"	1.594"
1"	1" BSPT	8/8T MSE	0.875"	2.407"	0.991"	1.556"