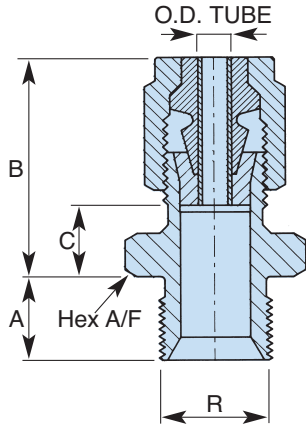


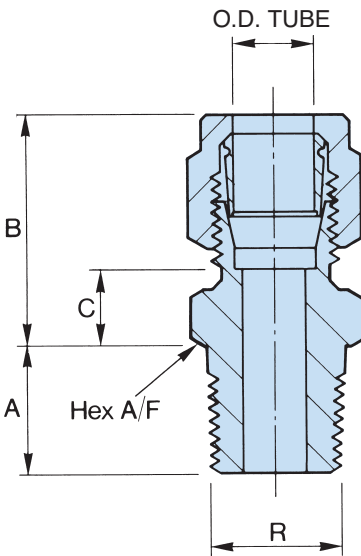
DUOLOC SINGLE FERRULE OD COMPRESSION FITTINGS

BSPT male stud coupling



OD tube	thread size R	part number	A	B	C	hex A/F
1/8"	1/8" BSPT	1/1T MSC	0.375"	0.970"	0.370"	0.562"
1/8"	1/4" BSPT	1/2T MSC	0.500"	1.033"	0.370"	0.562"
1/8"	3/8" BSPT	1/3T MSC	0.562"	1.064"	0.370"	0.750"
1/8"	1/2" BSPT	1/4T MSC	0.687"	1.095"	0.432"	0.875"
3/16"	1/8" BSPT	3/16/1T MSC	0.375"	1.003"	0.370"	0.562"
3/16"	1/4" BSPT	3/16/2T MSC	0.500"	1.066"	0.370"	0.562"
3/16"	3/8" BSPT	3/16/3T MSC	0.562"	1.097"	0.370"	0.750"
3/16"	1/2" BSPT	3/16/4T MSC	0.687"	1.128"	0.432"	0.875"

BSPT male stud coupling



OD tube	thread size R	part number	A	B	C	hex A/F
1/4"	1/8" BSPT	2/1T MSC	0.375"	0.906"	0.370"	0.562"
1/4"	1/4" BSPT	2/2T MSC	0.500"	0.969"	0.370"	0.562"
1/4"	3/8" BSPT	2/3T MSC	0.562"	1.000"	0.370"	0.750"
1/4"	1/2" BSPT	2/4T MSC	0.687"	1.031"	0.432"	1.875"
3/8"	1/8" BSPT	3/1T MSC	0.375"	1.062"	0.402"	0.750"
3/8"	1/4" BSPT	3/2T MSC	0.500"	1.062"	0.402"	0.750"
3/8"	3/8" BSPT	3/3T MSC	0.562"	1.094"	0.402"	0.750"
3/8"	1/2" BSPT	3/4T MSC	0.687"	1.125"	0.464"	0.875"
3/8"	3/4" BSPT	3/6T MSC	0.750"	1.125"	0.527"	1.125"
1/2"	1/8" BSPT	4/1T MSC	0.375"	1.188"	0.402"	0.875"
1/2"	1/4" BSPT	4/2T MSC	0.500"	1.188"	0.402"	0.875"
1/2"	3/8" BSPT	4/3T MSC	0.562"	1.188"	0.402"	0.875"
1/2"	1/2" BSPT	4/4T MSC	0.687"	1.218"	0.464"	0.875"
1/2"	3/4" BSPT	4/6T MSC	0.750"	1.218"	0.527"	1.125"
1/2"	1" BSPT	4/8T MSC	0.875"	1.218"	0.527"	1.375"
3/4"	3/8" BSPT	6/3T MSC	0.562"	1.406"	0.588"	1.125"
3/4"	1/2" BSPT	6/4T MSC	0.687"	1.406"	0.535"	1.125"
3/4"	3/4" BSPT	6/6T MSC	0.750"	1.406"	0.588"	1.125"
3/4"	1" BSPT	6/8T MSC	0.875"	1.406"	0.588"	1.375"
1"	1/2" BSPT	8/4T MSC	0.687"	1.625"	0.588"	1.500"
1"	3/4" BSPT	8/6T MSC	0.750"	1.625"	0.588"	1.500"
1"	1" BSPT	8/8T MSC	0.875"	1.625"	0.585"	1.500"