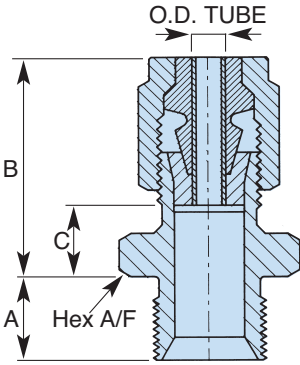


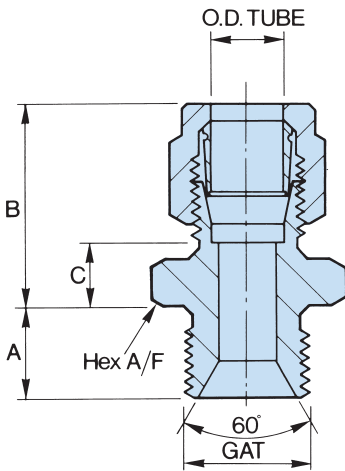
DUOLOC SINGLE FERRULE OD COMPRESSION FITTINGS

BSP parallel male stud coupling



OD tube	thread size GAT	part number	A	B	C	hex A/F
1/8"	1/8" BSP	1/1P MSC	0.450"	0.970"	0.370"	0.562"
1/8"	1/4" BSP	1/2P MSC	0.450"	1.033"	0.370"	0.750"
1/8"	3/8" BSP	1/3P MSC	0.530"	1.064"	0.370"	0.875"
1/8"	1/2" BSP	1/4P MSC	0.600"	1.095"	0.432"	1.125"
3/16"	1/8" BSP	3/16/1P MSC	0.450"	1.003"	0.370"	0.562"
3/16"	1/4" BSP	3/16/2P MSC	0.450"	1.066"	0.370"	0.750"
3/16"	3/8" BSP	3/16/3P MSC	0.530"	1.097"	0.370"	0.875"
3/16"	1/2" BSP	3/16/4P MSC	0.600"	1.128"	0.432"	1.125"

BSP parallel male stud coupling



OD tube	thread size GAT	part number	A	B	C	hex A/F
1/4"	1/8" BSP	2/1P MSC	0.450"	0.906"	0.370"	0.562"
1/4"	1/4" BSP	2/2P MSC	0.450"	0.969"	0.370"	0.750"
1/4"	3/8" BSP	2/3P MSC	0.530"	1.000"	0.370"	0.875"
1/4"	1/2" BSP	2/4P MSC	0.600"	1.031"	0.432"	1.125"
3/8"	1/8" BSP	3/1P MSC	0.450"	1.062"	0.402"	0.750"
3/8"	1/4" BSP	3/2P MSC	0.450"	1.062"	0.402"	0.750"
3/8"	3/8" BSP	3/3P MSC	0.530"	1.094"	0.402"	0.875"
3/8"	1/2" BSP	3/4P MSC	0.600"	1.125"	0.464"	1.125"
1/2"	1/4" BSP	4/2P MSC	0.450"	1.188"	0.402"	0.875"
1/2"	3/8" BSP	4/3P MSC	0.530"	1.188"	0.402"	0.875"
1/2"	1/2" BSP	4/4P MSC	0.600"	1.218"	0.464"	1.125"
1/2"	3/4" BSP	4/6P MSC	0.750"	1.218"	0.527"	1.300"
1/2"	1" BSP	4/8P MSC	0.800"	1.218"	0.527"	1.670"
3/4"	3/8" BSP	6/3P MSC	0.530"	1.406"	0.588"	1.125"
3/4"	1/2" BSP	6/4P MSC	0.600"	1.406"	0.535"	1.125"
3/4"	3/4" BSP	6/6P MSC	0.750"	1.406"	0.588"	1.300"
3/4"	1" BSP	6/8P MSC	0.800"	1.406"	0.588"	1.670"
1"	1/2" BSP	8/4P MSC	0.600"	1.625"	0.588"	1.500"
1"	3/4" BSP	8/6P MSC	0.750"	1.625"	0.588"	1.500"
1"	1" BSP	8/8P MSC	0.800"	1.625"	0.588"	1.670"