

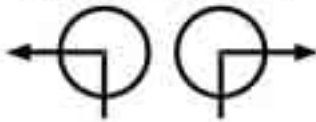
The Waverley brownall series of T and L ported high pressure diverting ball valve range offers a compact and safe way to divert, control, and vent high pressure liquid or gases. They combine multidirectional flow with shutoff capacity in one valve. These all Stainless Steel valves have a safe working pressure of 6000 psi and are available in sizes ranging from 1/4" to 1/2".

Design Availability.

3 Way TEE Port Bottom Entry.
Allows Flow Diversion and Isolation



3 Way L Port Side Entry
Allows Flow Diversion



3 Way TEE Ported Side Entry



Design Features.

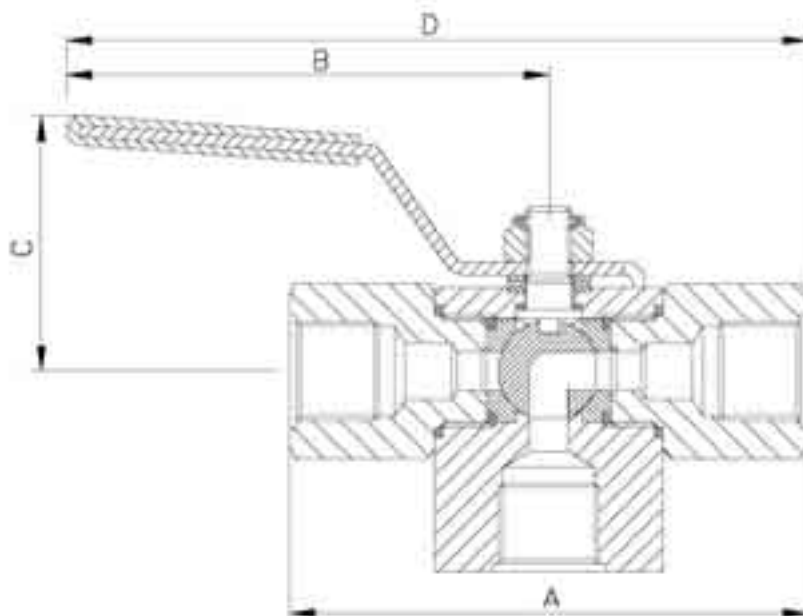
- Robust High Pressure Design.
- Multi Inlet Design
- Blow Out Proof Stem.
- Floating Ball and Seats.
- Low Operating Torque
- Wide Range of End Connections
- Replaceable Seats and Seals
- Full Material Traceability
- Panel Mounting Option
- Lever or Pointer Handle



Side Entry Design

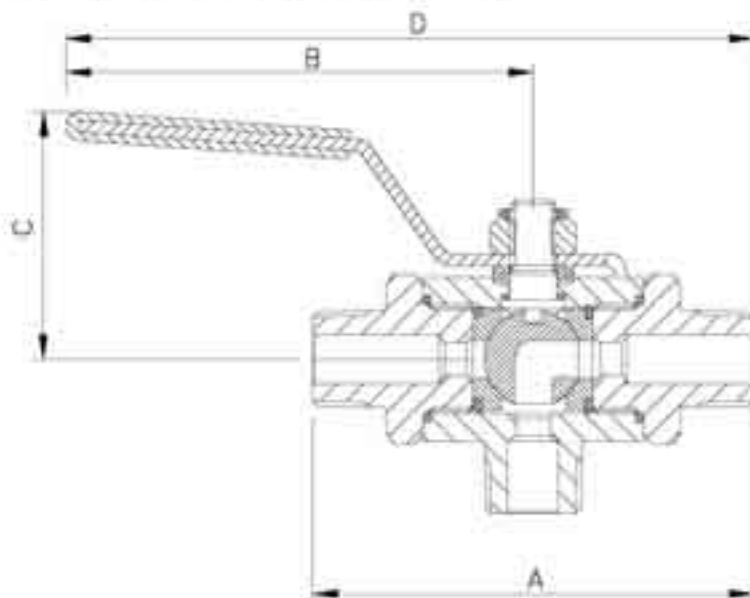
| Part | Material |
|-----------------|-------------|
| Body | 316 St ST |
| End Connections | 316 St ST |
| Ball | 316 St ST |
| Stem | 316 St ST |
| Stem Seal | RTFE |
| Seats | PTFE / PVDF |
| Top Seal | RTFE |
| Body Seal | PTFE / PVDF |
| Pin | 316 St ST |
| Lever Handle | 316 St ST |
| Pointer Handle | MAZAK |
| Handle Sleeve | PVC |
| Nut | A4 ST ST |
| Washer | A4 ST ST |
| Spacer | 316 St ST |
| Seal Energiser | VITON |

3 Way Ball Valve Female Outlet



| Thread | Entry | Pt No (L Port) | Pt No (T Port) | Dim A | Dim B | Dim C | Dim D |
|---------|--------|----------------|----------------|-------|-------|-------|-------|
| 1/4 NPT | Bottom | 3BV-2N-F-BE | N/A | 2.80 | 4.53 | 1.77 | 5.93 |
| 3/8 NPT | Bottom | 3BV-3N-F-BE | N/A | 3.03 | 4.53 | 1.77 | 6.04 |
| 1/2 NPT | Bottom | 3BV-4N-F-BE | N/A | 3.35 | 4.53 | 1.77 | 6.20 |
| | | | | | | | |
| 1/4 BSP | Bottom | 3BV-2T-F-BE | N/A | 2.80 | 4.53 | 1.77 | 5.93 |
| 3/8 BSP | Bottom | 3BV-3T-F-BE | N/A | 3.03 | 4.53 | 1.77 | 6.04 |
| 1/2 BSP | Bottom | 3BV-4T-F-BE | N/A | 3.35 | 4.53 | 1.77 | 6.20 |
| | | | | | | | |
| 1/4 BSP | Bottom | 3BV-2P-F-BE | N/A | 2.80 | 4.53 | 1.77 | 5.93 |
| 3/8 BSP | Bottom | 3BV-3P-F-BE | N/A | 2.95 | 4.53 | 1.77 | 6.00 |
| 1/2 BSP | Bottom | 3BV-4P-F-BE | N/A | 3.27 | 4.53 | 1.77 | 6.16 |
| | | | | | | | |
| 1/4 NPT | Side | 3BV-2N-F-SE | 3BV-2N-F-SE-T | 2.80 | 4.53 | 1.77 | 5.93 |
| 3/8 NPT | Side | 3BV-3N-F-SE | 3BV-3N-F-SE-T | 3.03 | 4.53 | 1.77 | 6.04 |
| 1/2 NPT | Side | 3BV-4N-F-SE | 3BV-4N-F-SE-T | 3.35 | 4.53 | 1.77 | 6.20 |
| | | | | | | | |
| 1/4 BSP | Side | 3BV-2T-F-SE | 3BV-2T-F-SE-T | 2.80 | 4.53 | 1.77 | 5.93 |
| 3/8 BSP | Side | 3BV-3T-F-SE | 3BV-3T-F-SE-T | 3.03 | 4.53 | 1.77 | 6.04 |
| 1/2 BSP | Side | 3BV-4T-F-SE | 3BV-4T-F-SE-T | 3.35 | 4.53 | 1.77 | 6.20 |
| | | | | | | | |
| 1/4 BSP | Side | 3BV-2P-F-SE | 3BV-2P-F-SE-T | 2.80 | 4.53 | 1.77 | 5.93 |
| 3/8 BSP | Side | 3BV-3P-F-SE | 3BV-3P-F-SE-T | 2.95 | 4.53 | 1.77 | 6.00 |
| 1/2 BSP | Side | 3BV-4P-F-SE | 3BV-4P-F-SE-T | 3.27 | 4.53 | 1.77 | 6.16 |

3 Way Ball Valve Male Outlet



| Thread | Entry | Pt No (L Port) | Pt No (T Port) | Dim A | Dim B | Dim C | Dim D |
|---------|--------|----------------|----------------|-------|-------|-------|-------|
| 1/4 NPT | Bottom | 3BV-2N-M-BE | N/A | 2.80 | 4.53 | 1.77 | 5.93 |
| 3/8 NPT | Bottom | 3BV-3N-M-BE | N/A | 3.03 | 4.53 | 1.77 | 6.04 |
| 1/2 NPT | Bottom | 3BV-4N-M-BE | N/A | 3.35 | 4.53 | 1.77 | 6.20 |
| 1/4 BSP | Bottom | 3BV-2T-M-BE | N/A | 2.80 | 4.53 | 1.77 | 5.93 |
| 3/8 BSP | Bottom | 3BV-3T-M-BE | N/A | 3.03 | 4.53 | 1.77 | 6.04 |
| 1/2 BSP | Bottom | 3BV-4T-M-BE | N/A | 3.35 | 4.53 | 1.77 | 6.20 |
| 1/4 BSP | Bottom | 3BV-2P-M-BE | N/A | 2.80 | 4.53 | 1.77 | 5.93 |
| 3/8 BSP | Bottom | 3BV-3P-M-BE | N/A | 2.95 | 4.53 | 1.77 | 6.00 |
| 1/2 BSP | Bottom | 3BV-4P-M-BE | N/A | 3.27 | 4.53 | 1.77 | 6.16 |
| 1/4 NPT | Side | 3BV-2N-M-SE | 3BV-2N-M-SE-T | 2.80 | 4.53 | 1.77 | 5.93 |
| 3/8 NPT | Side | 3BV-3N-M-SE | 3BV-3N-M-SE-T | 3.03 | 4.53 | 1.77 | 6.04 |
| 1/2 NPT | Side | 3BV-4N-M-SE | 3BV-4N-M-SE-T | 3.35 | 4.53 | 1.77 | 6.20 |
| 1/4 BSP | Side | 3BV-2T-M-SE | 3BV-2T-M-SE-T | 2.80 | 4.53 | 1.77 | 5.93 |
| 3/8 BSP | Side | 3BV-3T-M-SE | 3BV-3T-M-SE-T | 3.03 | 4.53 | 1.77 | 6.04 |
| 1/2 BSP | Side | 3BV-4T-M-SE | 3BV-4T-M-SE-T | 3.35 | 4.53 | 1.77 | 6.20 |
| 1/4 BSP | Side | 3BV-2P-M-SE | 3BV-2P-M-SE-T | 2.80 | 4.53 | 1.77 | 5.93 |
| 3/8 BSP | Side | 3BV-3P-M-SE | 3BV-3P-M-SE-T | 2.95 | 4.53 | 1.77 | 6.00 |
| 1/2 BSP | Side | 3BV-4P-M-SE | 3BV-4P-M-SE-T | 3.27 | 4.53 | 1.77 | 6.16 |