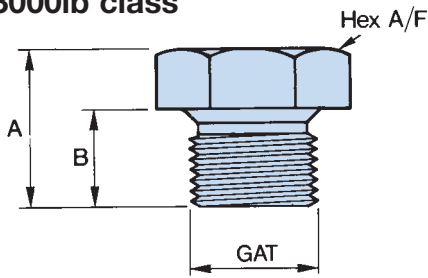


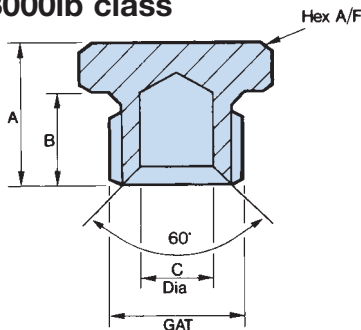
BSP parallel hexagon plug 3000lb class



thread size GAT	part number	A	B	hex A/F
1/8" BSP	P1	0.570"	0.350"	0.562"
1/4" BSP	P2	0.700"	0.450"	0.750"
3/8" BSP	P3	0.780"	0.530"	0.875"
1/2" BSP	P4	1.000"	0.625"	1.125"
3/4" BSP	P6	1.125"	0.750"	1.300"
1" BSP	P8	1.175"	0.800"	1.670"
1 1/4" BSP	P10	1.237"	0.800"	2.050"
1 1/2" BSP	P12	1.287"	0.900"	2.220"
2" BSP	P16	1.437"	1.000"	2.750"

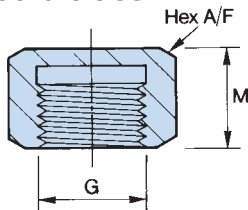
BSP Parallel Plugs can be drilled and tapped to convert into Screwed Bushes to order

BSP parallel plug coned 3000lb class



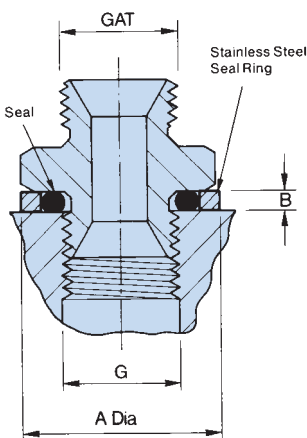
thread size GAT	part number	A	B	C dia	hex A/F
1/8" BSP	P1 coned	0.570"	0.350"	0.125"	0.562"
1/4" BSP	P2 coned	0.700"	0.450"	0.250"	0.750"
3/8" BSP	P3 coned	0.780"	0.530"	0.375"	0.875"
1/2" BSP	P4 coned	1.000"	0.625"	0.500"	1.125"

BSP parallel hexagon cap 3000lb class



thread size G	part number	M	Hex A/F
1/8" BSP	HC1	0.500"	0.562"
1/4" BSP	HC2	0.500"	0.750"
3/8" BSP	HC3	0.593"	0.875"
1/2" BSP	HC4	0.750"	1.125"
3/4" BSP	HC6	0.870"	1.300"
1" BSP	HC8	0.937"	1.670"
1 1/2" BSP	HC12	1.500"	2.220"

BSP parallel screw seal assembly 3000lb class



Stainless seal ring with PTFE seal

thread size GAT/G	part number	A dia	B
1/8" BSP	SR1PT	0.625"	0.056"
1/4" BSP	SR2PT	0.875"	0.056"
3/8" BSP	SR3PT	1.000"	0.056"
1/2" BSP	SR4PT	1.250"	0.086"
3/4" BSP	SR6PT	1.500"	0.086"
1" BSP	SR8PT	1.750"	0.086"
1 1/4" BSP	SR10PT	2.375"	0.115"
1 1/2" BSP	SR12PT	2.525"	0.115"
2" BSP	SR16PT	3.125"	0.115"

Stainless seal ring with nitrile seal

thread size GAT/G	part number	A dia	B
1/8" BSP	SR1NT	0.625"	0.056"
1/4" BSP	SR2NT	0.875"	0.056"
3/8" BSP	SR3NT	1.000"	0.056"
1/2" BSP	SR4NT	1.250"	0.086"
3/4" BSP	SR6NT	1.500"	0.086"
1" BSP	SR8NT	1.750"	0.086"
1 1/4" BSP	SR10NT	2.375"	0.115"
1 1/2" BSP	SR12NT	2.525"	0.115"
2" BSP	SR16NT	3.125"	0.115"